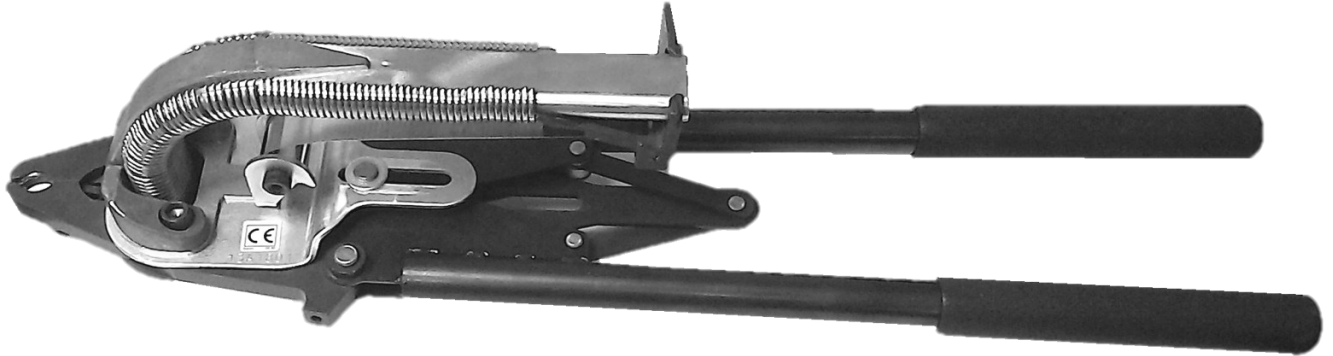



## C-RING TOOL

## HC1511HT



### HC1511HT WARNINGS !

- ⇒ Always read tool manual before operating tool.
- ⇒ Always wear safety glasses when operating or while in the area where a tool is being used.
- ⇒ When test cycling tool always point tool away from work piece and away from personnel.
- ⇒ Operate tool in an unobstructed area.

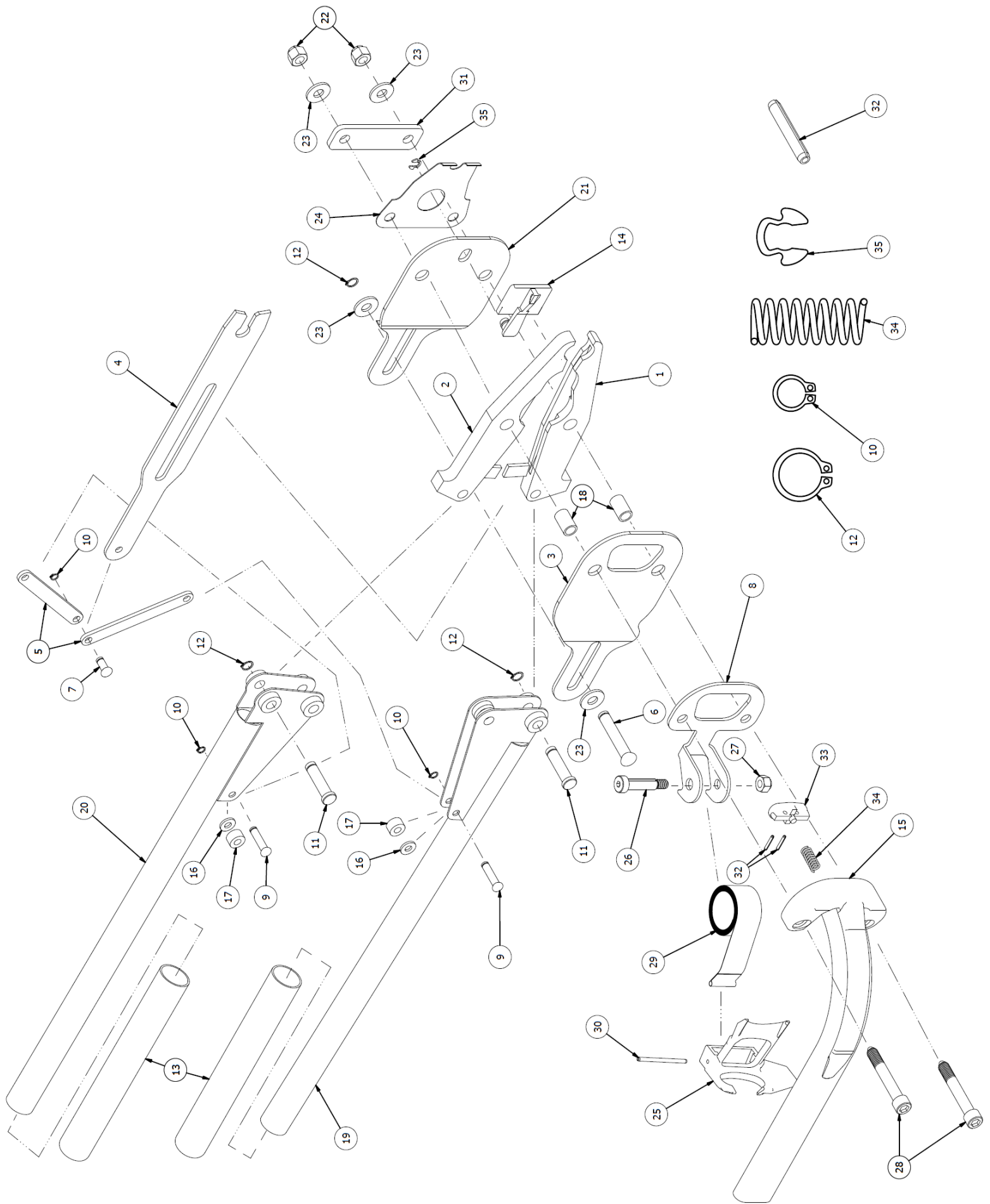
 <p><b>WARNING</b> EYE PROTECTION REQUIRED</p>	<p>The employer or user must insure the use of eye protection during tool use. All eye protection shall conform to ANSI Z87.1-2003 and provide frontal and side protection; all personnel located in the work area are required to use eye protection during loading, service or operation of the tool. Eye protection is needed to guard against possible flying particles and debris that could cause severe eye injury.</p>
---	--

### WARNING! TOOL OPERATION

- ⇒ Always handle tool with care.
- ⇒ Never engage in horseplay.
- ⇒ Never engage tool unless tool is pointed toward the work piece.
- ⇒ Keep the hands and bodies of the operator and all other personnel away from the tool jaws at all times.

### WARNING! LOADING TOOL

- ⇒ Never place hands or other body parts in the tool jaws while loading tool. Never point tool toward anyone.



## HC1511HT PARTS LIST

ITEM #	PART NO.	DESCRIPTION	QTY
1	HC1511HT-001	RIGHT JAW	1
2	HC1511HT-002	LEFT JAW	1
3	HC1511HT-003	SIDE PLATE MAG SIDE	1
4	HC1511HT-004	FEEDER BLADE	1
5	HC1511HT-005	FEEDER BLADE DRIVE LINK	2
6	HC1511HT-006	HANDLE CENTER PIN	1
7	HC1511HT-008	DRIVE LINK CENTER PIN	1
8	HC1511HT-012	SPRING SPOOL BRACKET	1
9	HC1511HT-013	LINK PIN	2
10	HC1511HT-014	PIN RETAINER SMALL	3
11	HC1511HT-015	JAW LINK PIN	2
12	HC1511HT-016	PIN RETAINER LARGE	3
13	HC1511HT-017	HAND GRIPS	2
14	HC1511HT-018	LATCH	1
15	HC1511HT-019	MAGAZINE	1
16	HC1511HT-020	LINK PIN BUSHING SMALL	2
17	HC1511HT-021	LINK PIN BUSHING LARGE	2
18	HC1511HT-022	JAW BUSHING	2
19	HC1511HT-024	HANDLE ASSY RH	1
20	HC1511HT-025	HANDLE ASSY LH	1
21	HC1511HT-028	SIDE PLATE LATCH SIDE	1
22	HC1511-020	JAW BOLT LOCK NUT	2
23	HC1511-034	FLAT WASHER	4
24	HC1511-037	LATCH SPRING	1
25	HC1511-055	PUSHER	1
26	HC1511-057	PUSHER SPRING BOLT	1
27	HC1511-059	PUSHER SPRING NUT	1
28	HC1511-061	JAW BOLT	2
29	HC1511-063	PUSHER SPRING	1
30	HC1511-064	PUSHER PIN	1
31	HC1511-068	SUPPORT PLATE	1
32	HC1511-069	MAGAZINE SHOE PIN	2
33	HC1511-070	MAGAZINE SHOE	1
34	HC1511-071	MAGAZINE SHOE SPRING	1
35	HC1511-036	LATCH POST CLIP	1
36	HC1511-075	CE STICKER	1

## HC1511HT AVAILABLE RINGS

PART #	MATERIAL	POINT TYPE	WIRE GAGE	PER CARTON	RING SIZE OPEN	RINGS SIZE CLOSED
11RG40	LOW TENSILE GALVANIZED	SHARP	11	1,600	1-1/2	9/16
11RG40B	LOW TENSILE GALVANIZED	BLUNT	11	1,600	1-1/2	9/16
11G40	HIGH TENSILE GALVANIZED	SHARP	11	1,600	1-1/2	9/16
11GF40	HIGH TENSILE GALFAN	SHARP	11	1,600	1-1/2	9/16
11SS40	HIGH TENSILE STAINLESS STEEL	SHARP	11	1,600	1-1/2	9/16
11AL40	ALUMINUM	SHARP	11	1,600	1-1/2	9/16

# TROUBLESHOOTING

## Ring Does Not Form Correctly:

- ✓ Check for foreign debris in the jaw area, especially in the area between the side plates and rollers.
- ✓ The jaws may be worn from extended use. Check the land between the receiving grooves on the jaws. If the land area is worn excessively then replacing the jaws is recommended.
- ✓ When the tool is used in corrosive applications, light oil should be applied on a regular basis to the jaws, bushings, and rollers.
- ✓ When the ring “teardrops” the latch is not backing the ring up properly. Replace the latch or latch spring to provide correct ring shape.

## Feeding Problems:

- ✓ If the rings do not feed smoothly down the magazine, check the pusher spring for proper tension. If the magazine is covered with dirt and debris, clean the magazine.
- ✓ When rings feed properly across the magazine, but do not feed into the jaws without spitting out of the magazine side of the tool, remove all rings from the magazine. Pull back and place pusher on hook. Now cycle the tool to remove ring from jaws. Close handles so the feeder blade is about 2 inches (50.8mm) back from the latch. This will allow you to check for jaw clearance between the side plates.
- ✓ If the pusher fingers show signs of spreading, this will cause the last few rings to not feed properly into the jaws. You may try to bend the fingers of the pusher back to original shape or replace with a new pusher at this time.

## General Care:

Because the tool is primarily designed to be used on projects in the outside environment, keeping the tool clean is essential for extending the tool life. Care should be taken to prevent the jaws and magazine from contacting dirt and sand. The abrasive effect of sand will greatly reduce the jaw life. Dropping the tool is the most common cause for repair. Replace worn or damaged parts to keep tool in top operating condition. Always use **genuine**, King-Hughes hog rings in the HC1511HT. Our hog rings are manufactured to a precise tolerance to ensure smooth operation. Due to the inferior design of our competitors rings, jamming may occur. The HC1511HT is designed to be trouble free with minimal lubrication, however if you choose, a dry graphite lubricant may be utilized.

# CUSTOMER SERVICE

**Congratulations!** You have just purchased the finest hog ring tool available worldwide. Your tool was proudly engineered and built without compromise, in the **U.S.A.!**

Factory service on your tool can normally be completed within 48 hours. A recommended spare parts list is available from King-Hughes Fasteners, Inc. Your tool has been calibrated by the factory. If you are experiencing any problems, contact the King-Hughes Customer Service Department.

## LIMITED WARRANTY

*The manufacturer warrants this tool to be free of manufacturing defects. The warranty period is 90 calendar days from date of purchase. The warranty is issued to the original purchaser exclusively. The tool or part will be repaired or replaced at the manufacturers discretion. The warranty does not cover failure due to neglect, damage or normal wear. The manufacturer shall not be liable for any incidental or consequential damage due to tool failure.*



**King-Hughes  
Fasteners, Inc.**  
Made in the USA

550 Fourth St., P.O. Box 98  
Imlay City, MI 48444 • USA  
Phone: 1-810-721-0300  
Toll Free: 1-800-779-3762  
Fax: 1-810-721-0400