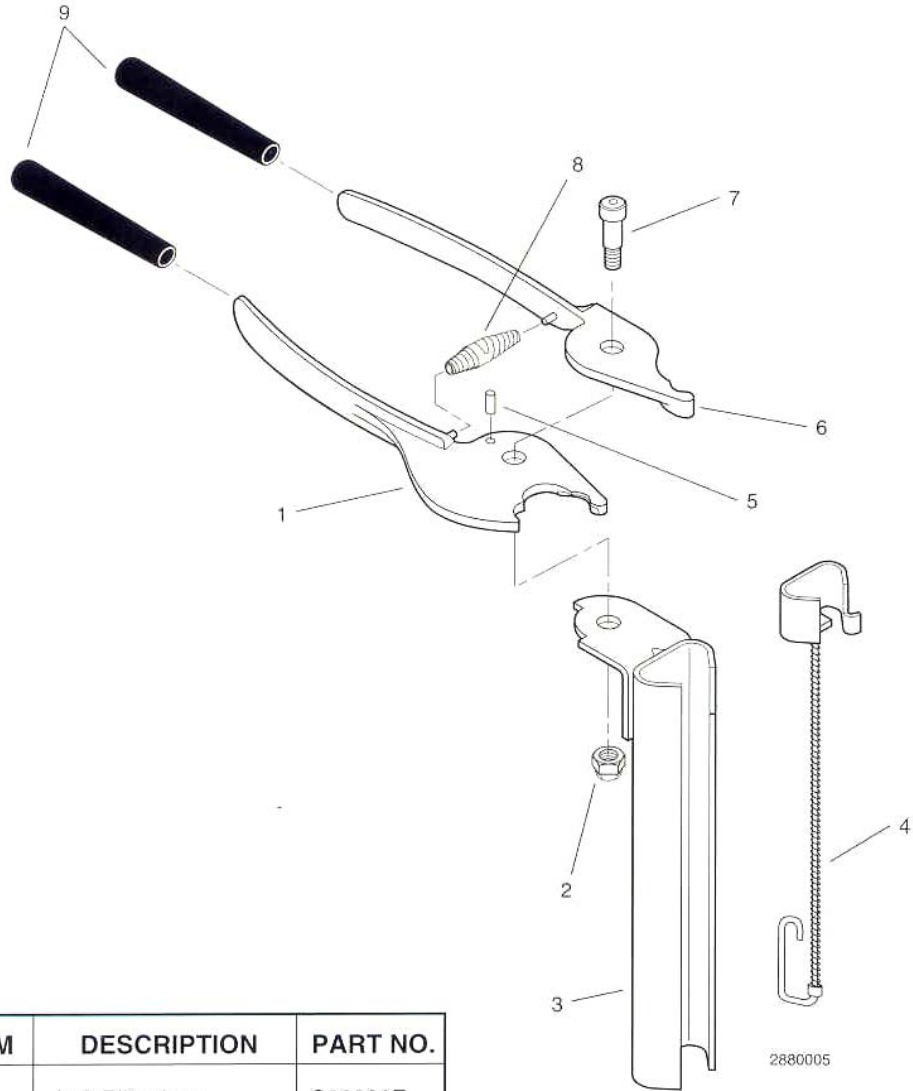
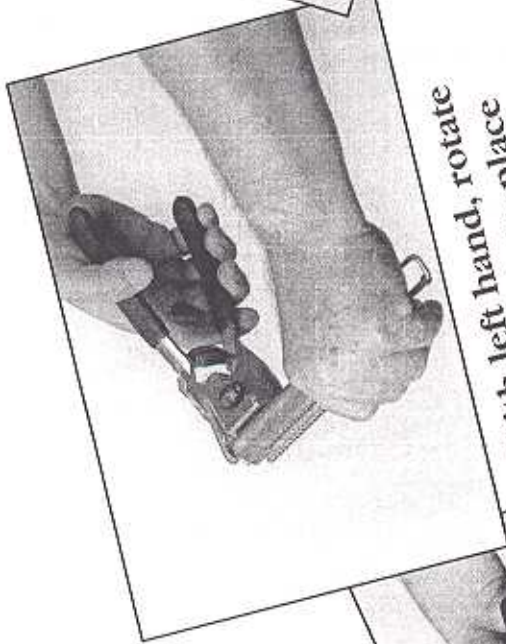


STANLEY SPENAX HFP9 FENCE PLIERS

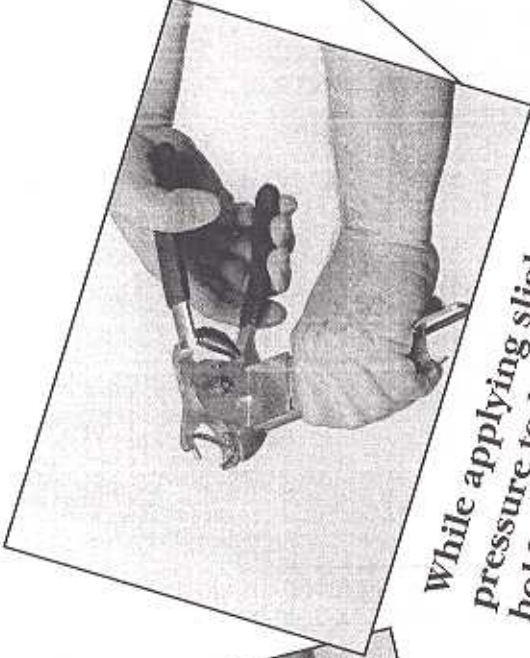


ITEM	DESCRIPTION	PART NO.
1	Left Plier Jaw	C03099F
2	Flex Lock Nut	727200
3	Magazine	B03096
4	Pusher Assembly	B03098
5	Magazine Stop Pin	SC78
6	Right Plier Jaw	C03100F
7	Plier Bolt	SC76
8	Spring	B03108
9	Grips (2)	SC75

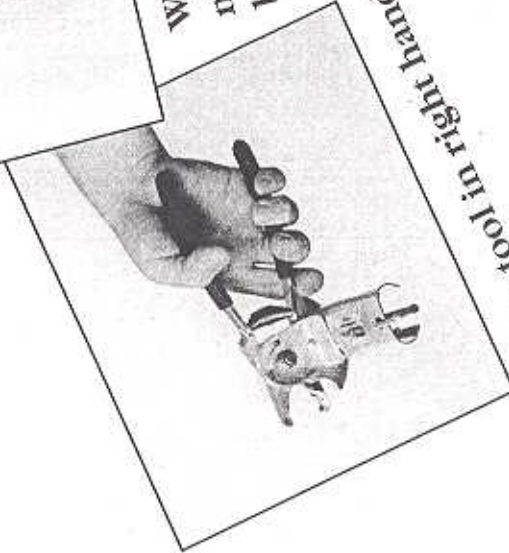
Operating Instructions for HFP9 Fencing Pliers



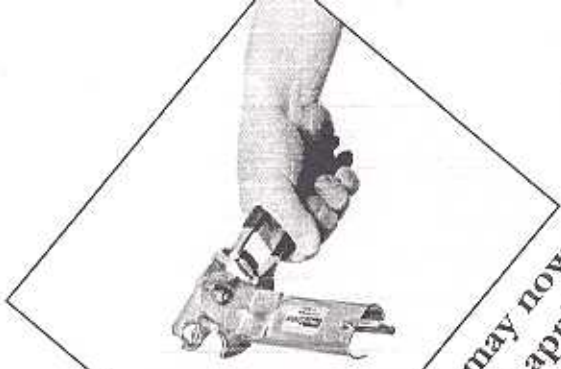
With left hand, rotate magazine into place beneath jaws.



While applying slight pressure to handles (to hold ring securely in jaws) rotate magazine downward, away from jaws, leaving open ring exposed.



Grasp tool in right hand.*



Open ring may now be placed on application and closed.

STANLEY **SPENAX**

helps you do things right.

*Steps may be reversed for left-handed operators.